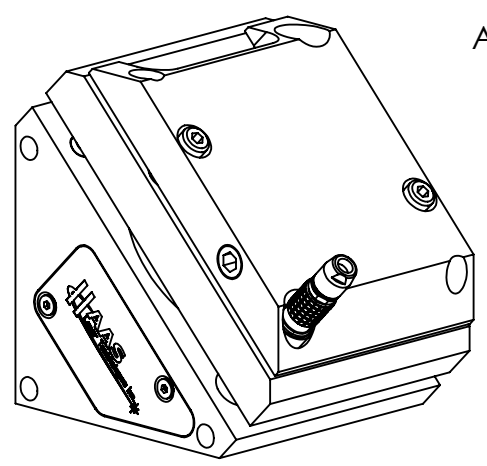
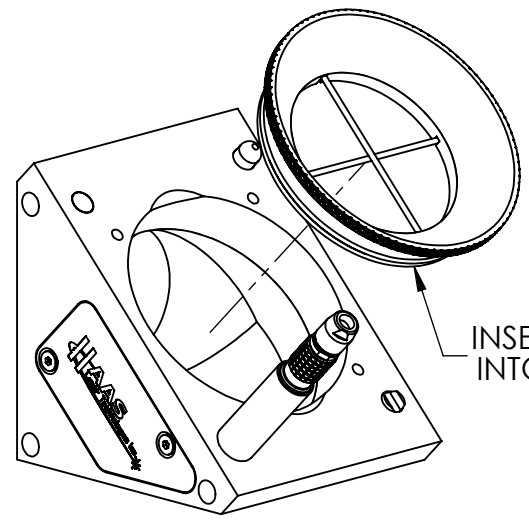


1



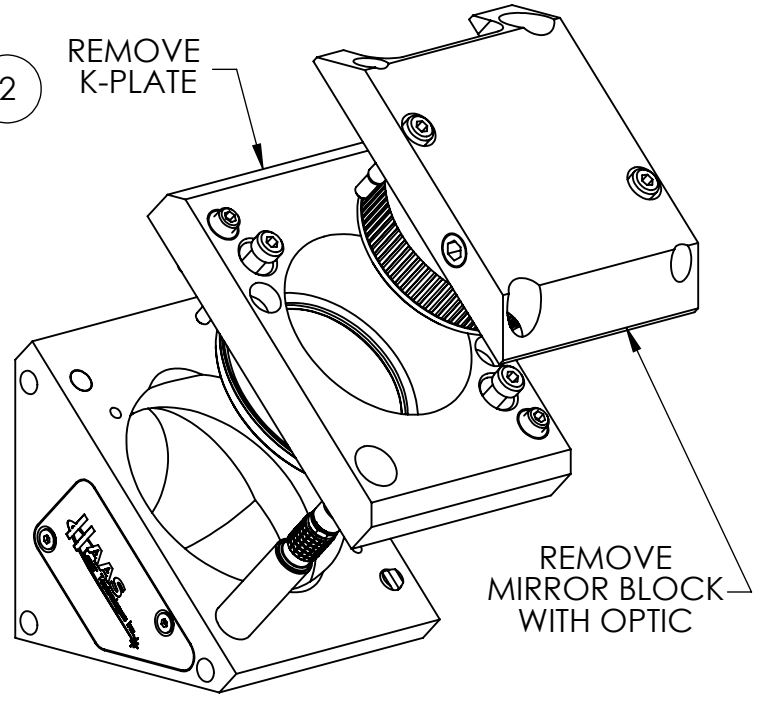
ASSEMBLED
BBK-38

3



INSERT TGT-BBK-38
INTO MAIN BODY

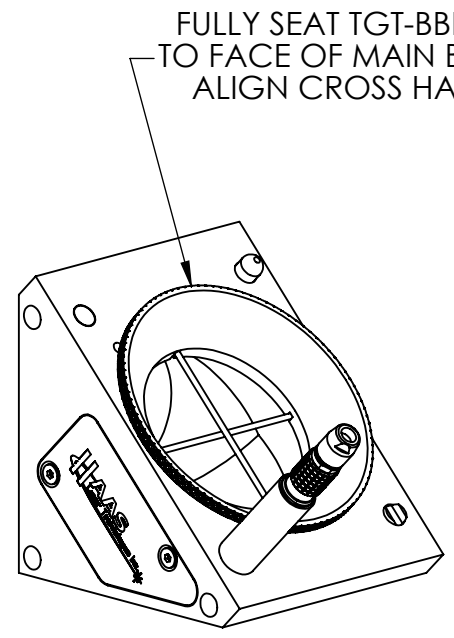
2




REMOVE
K-PLATE

REMOVE
MIRROR BLOCK
WITH OPTIC

4



FULLY SEAT TGT-BBK-38
TO FACE OF MAIN BODY
ALIGN CROSS HAIRS

QUANTITY REQUIRED:	DATE:	DRAWN BY:	CHK'D BY:	TOLERANCES:	No.	REVISIONS	DATE	APPD		37 IRONIA ROAD FLANDERS NJ 07836 (973) 598-1150 Fax: 598-1151
MATERIAL :	10/10/13	RS	GJH	(EXCEPT AS NOTED)						
FINISH:				X.XXX = ± 0.005					TGT-BBK-38 TARGET INSTALL for BBK-38	BOM# NA
HAAS PN# TGT-BBK-38				X.XX = ± 0.01						
SPECIFICATION SUBJECT TO CHANGE WITHOUT NOTICE. CONTACT HAAS LTI FOR MORE INFORMATION.				X X/X = ± 1/64						
				ANGULAR: ± 0.5°						